

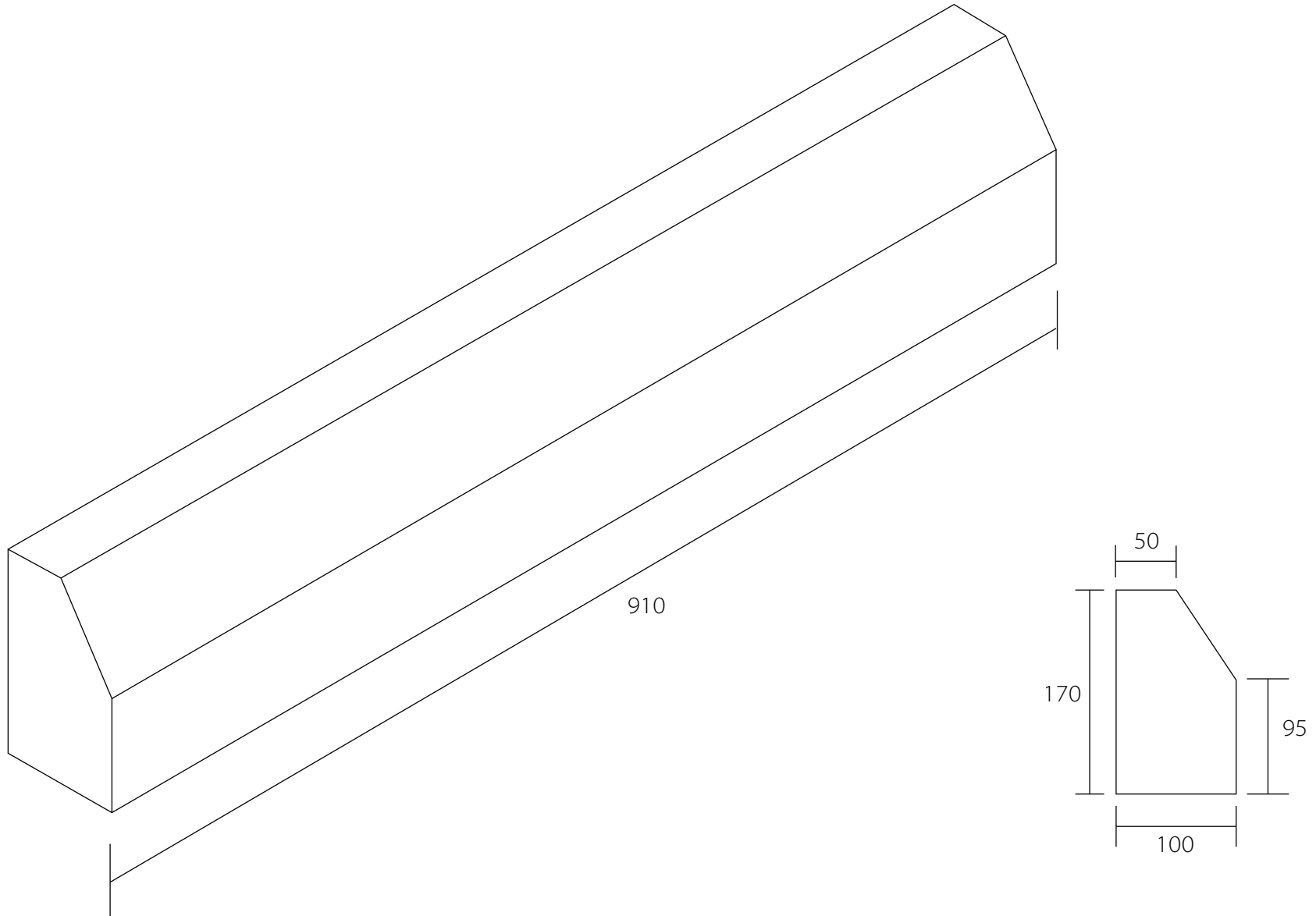


O'HORA
PRE-CAST CONCRETE

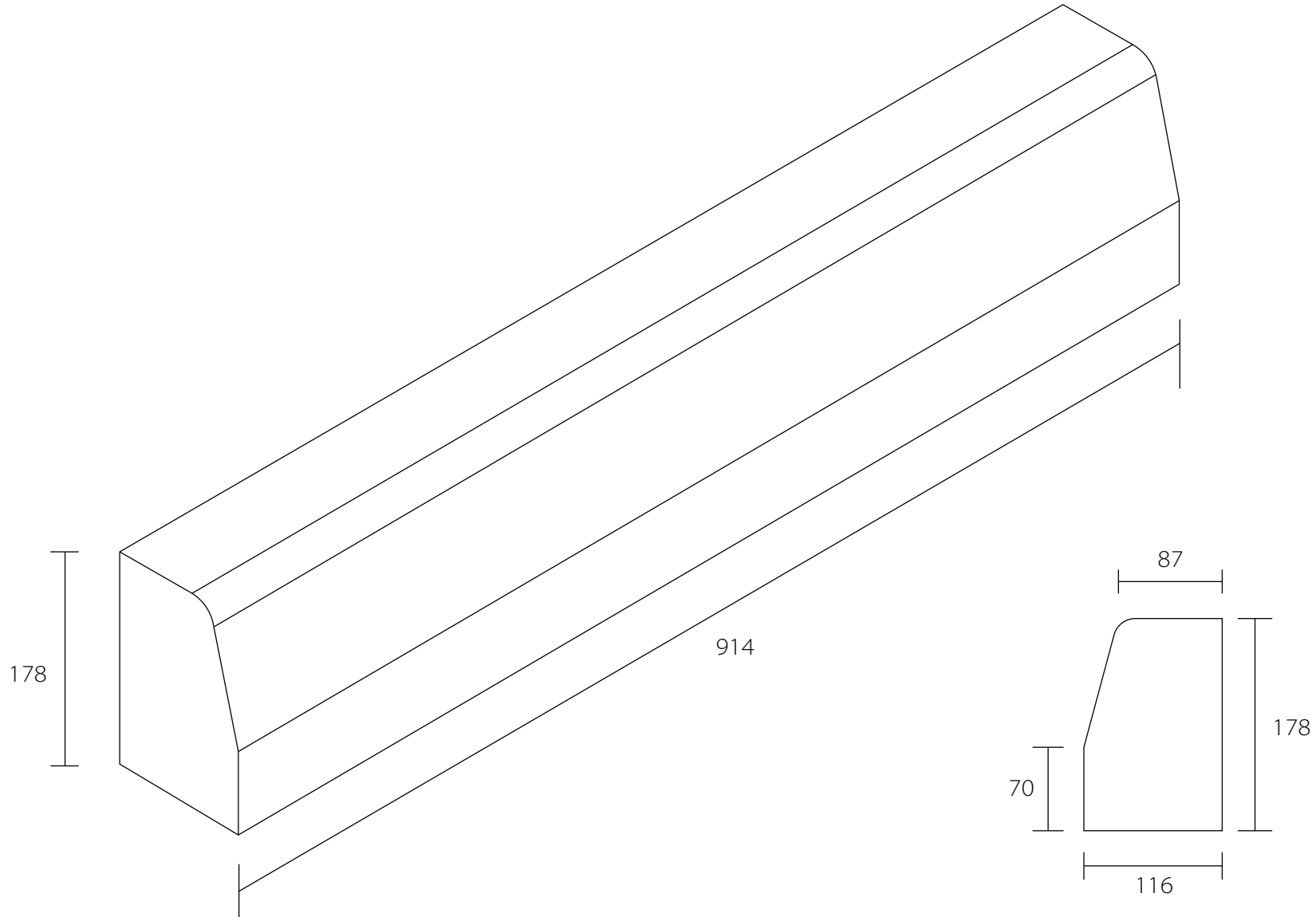
KERBS SPECS

7 x 4, 7 x 5, 6 x 5, 10 x 5 Kerb
6 x 2 Flat Top and Round Edging
10 x 4 Bull-Nosed Kerb
10 x 5 Full Battered Kerb
10 x 5 Dropped Pressed Kerb
Solid Segment

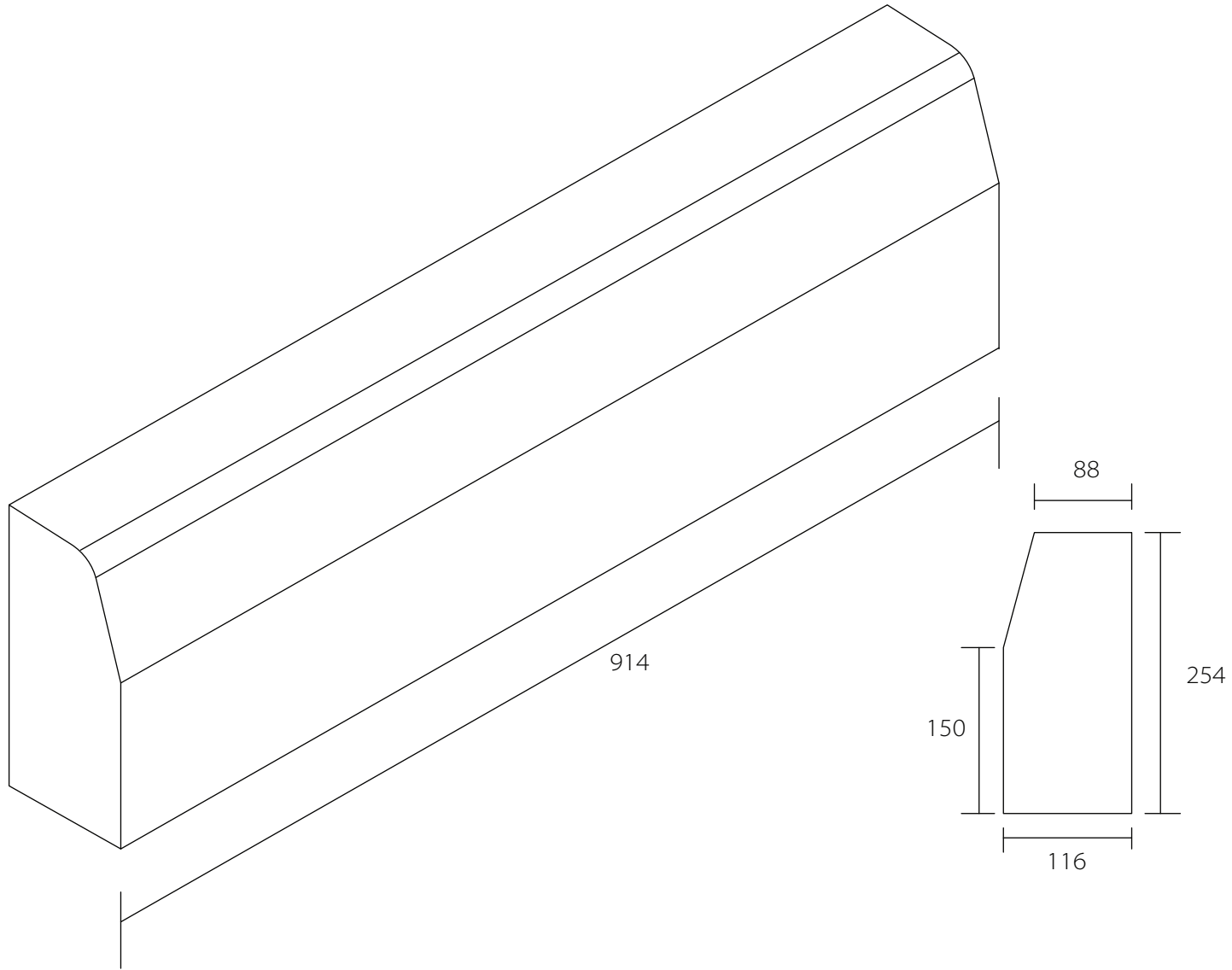
7X4 Kerb



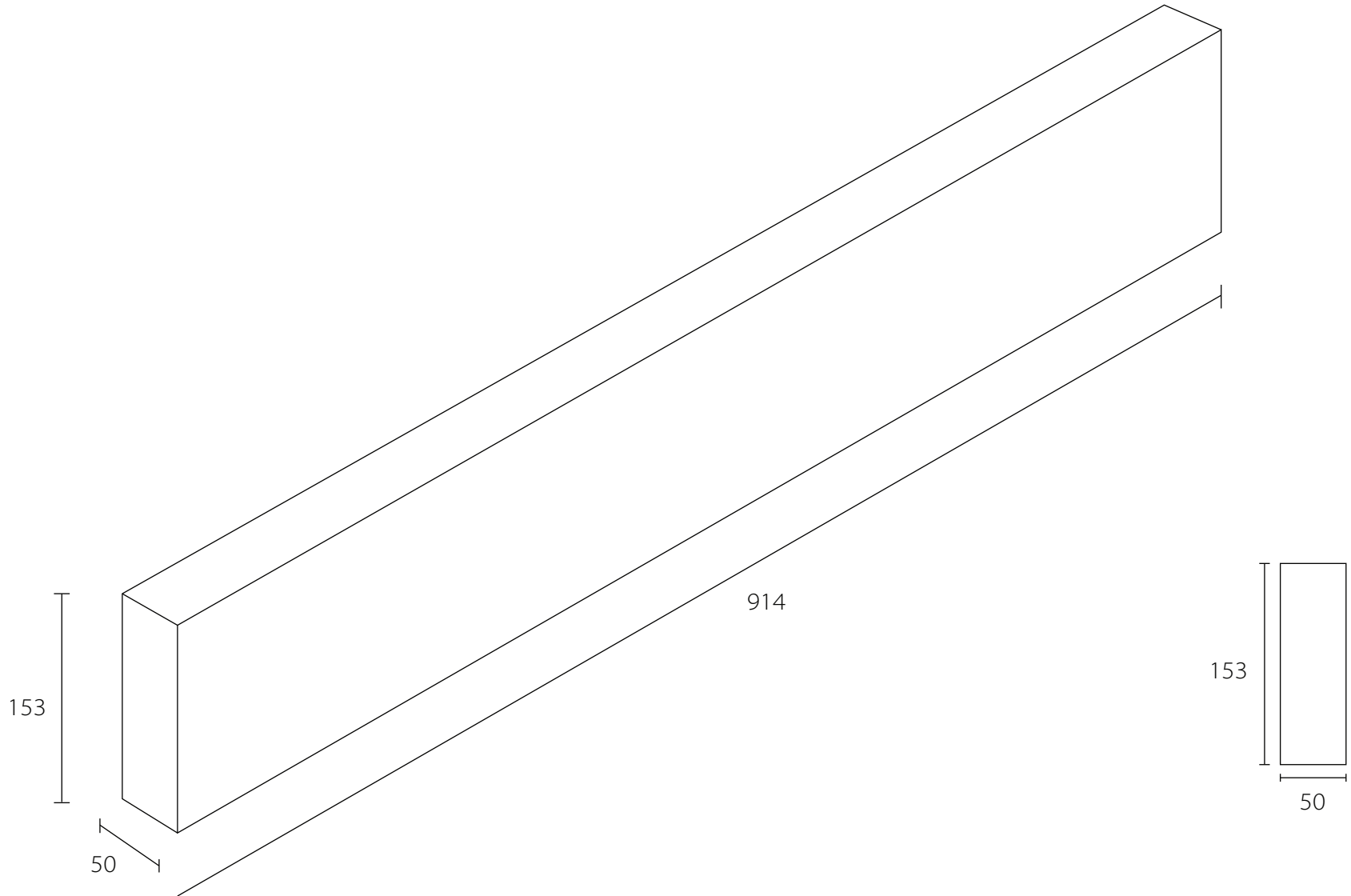
7X5 Pressed Kerb



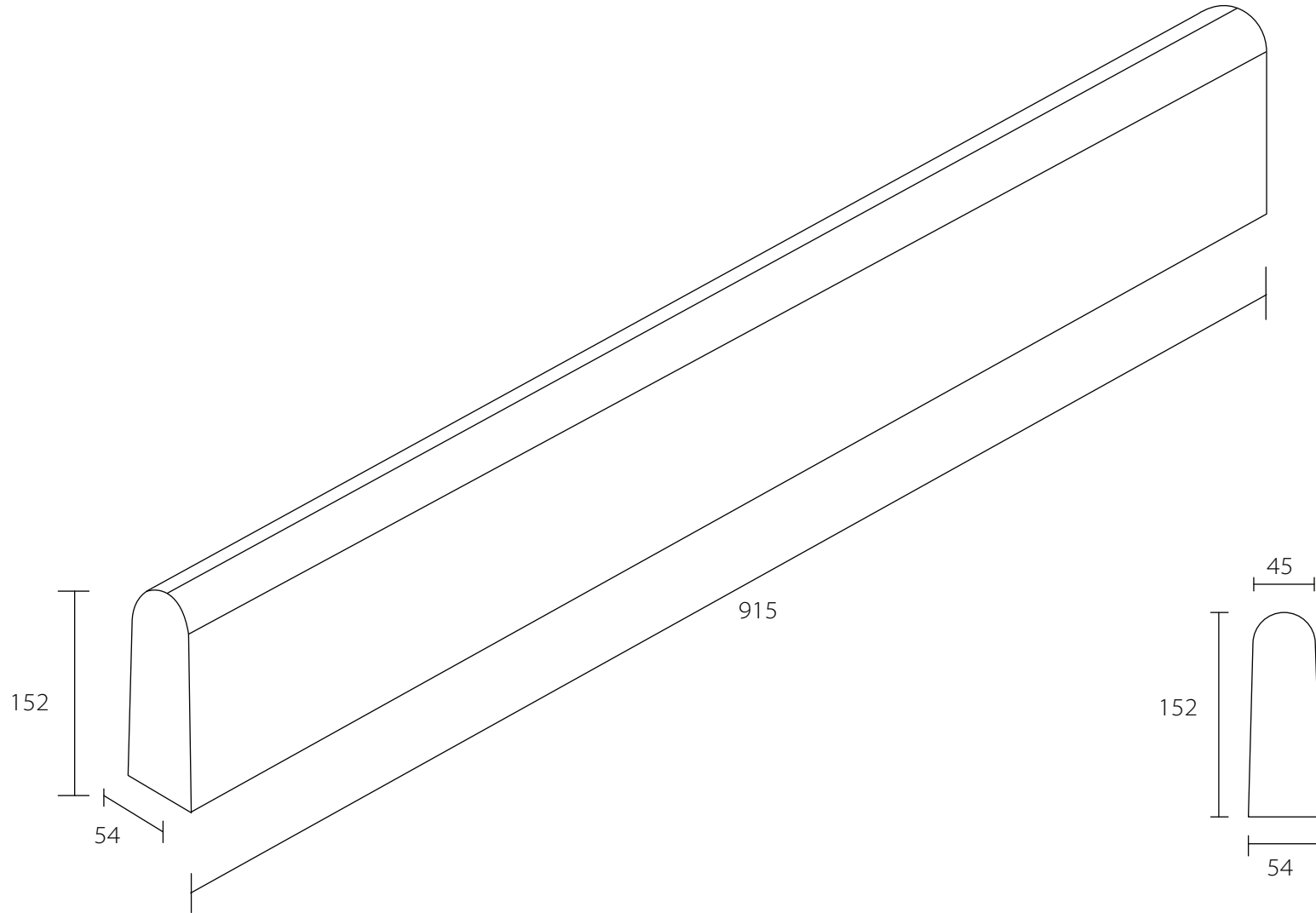
10X5 Pressed Kerb



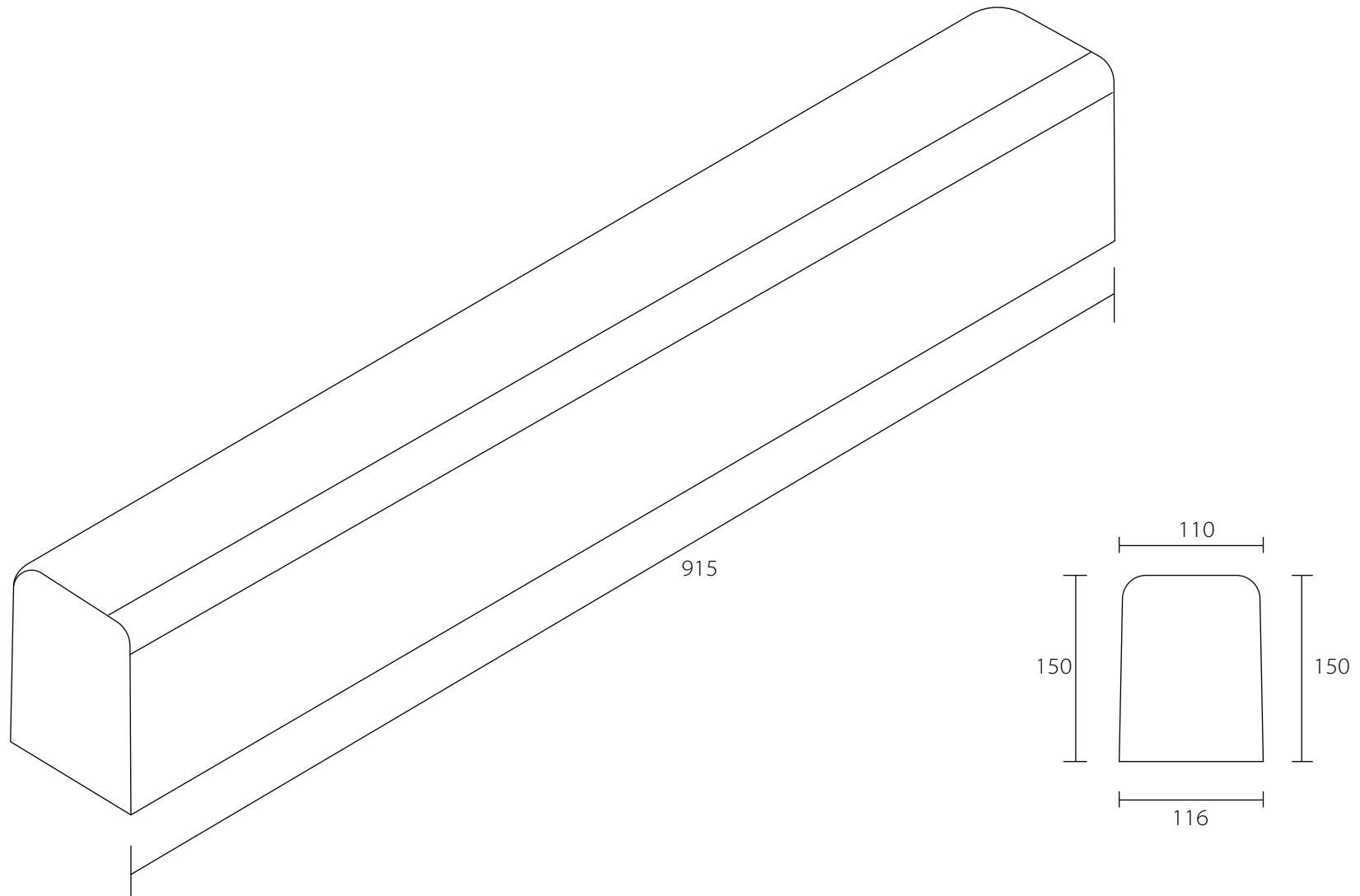
6X2 Flat Top Edging



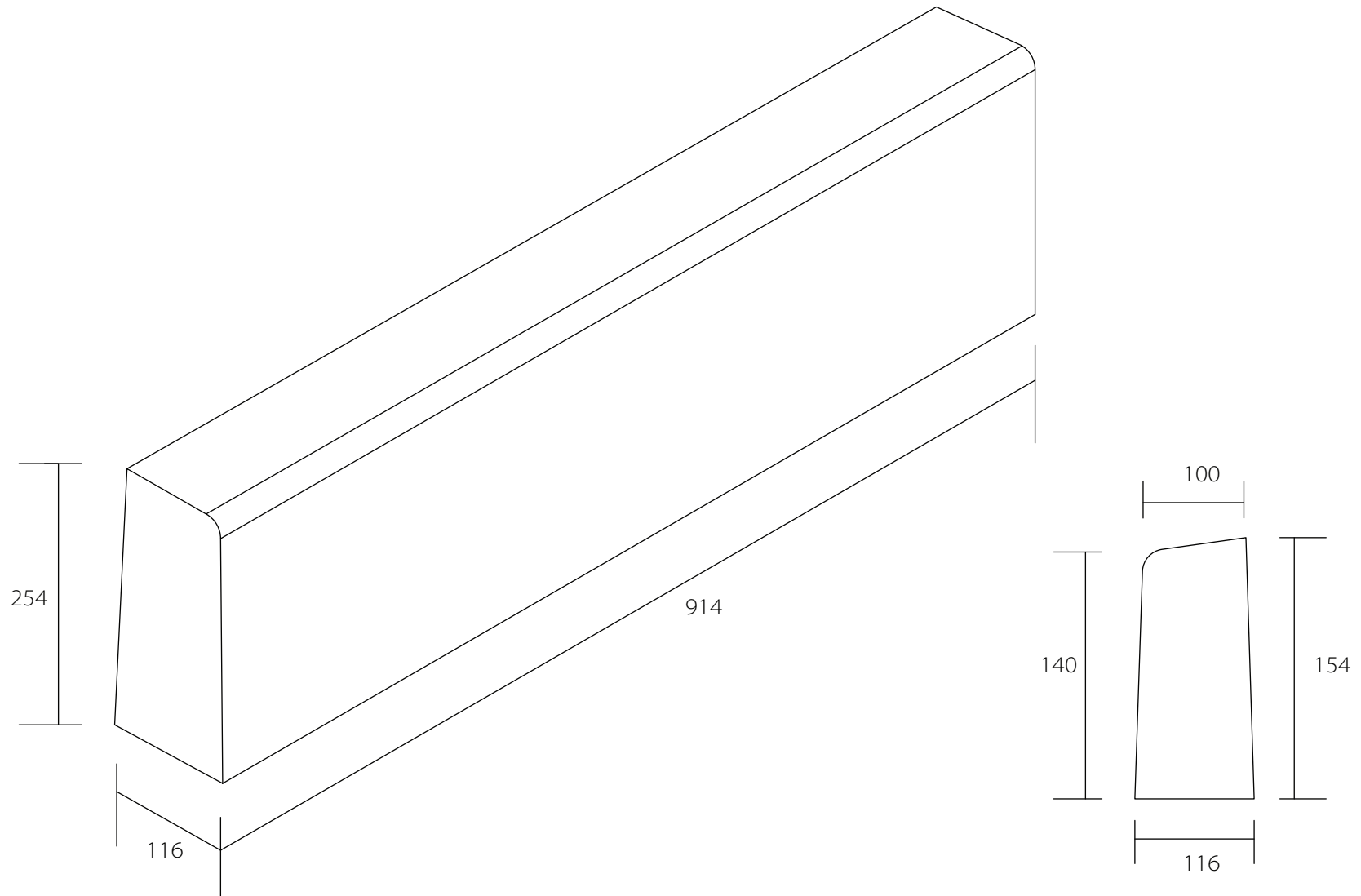
6X2 Round Top Edging



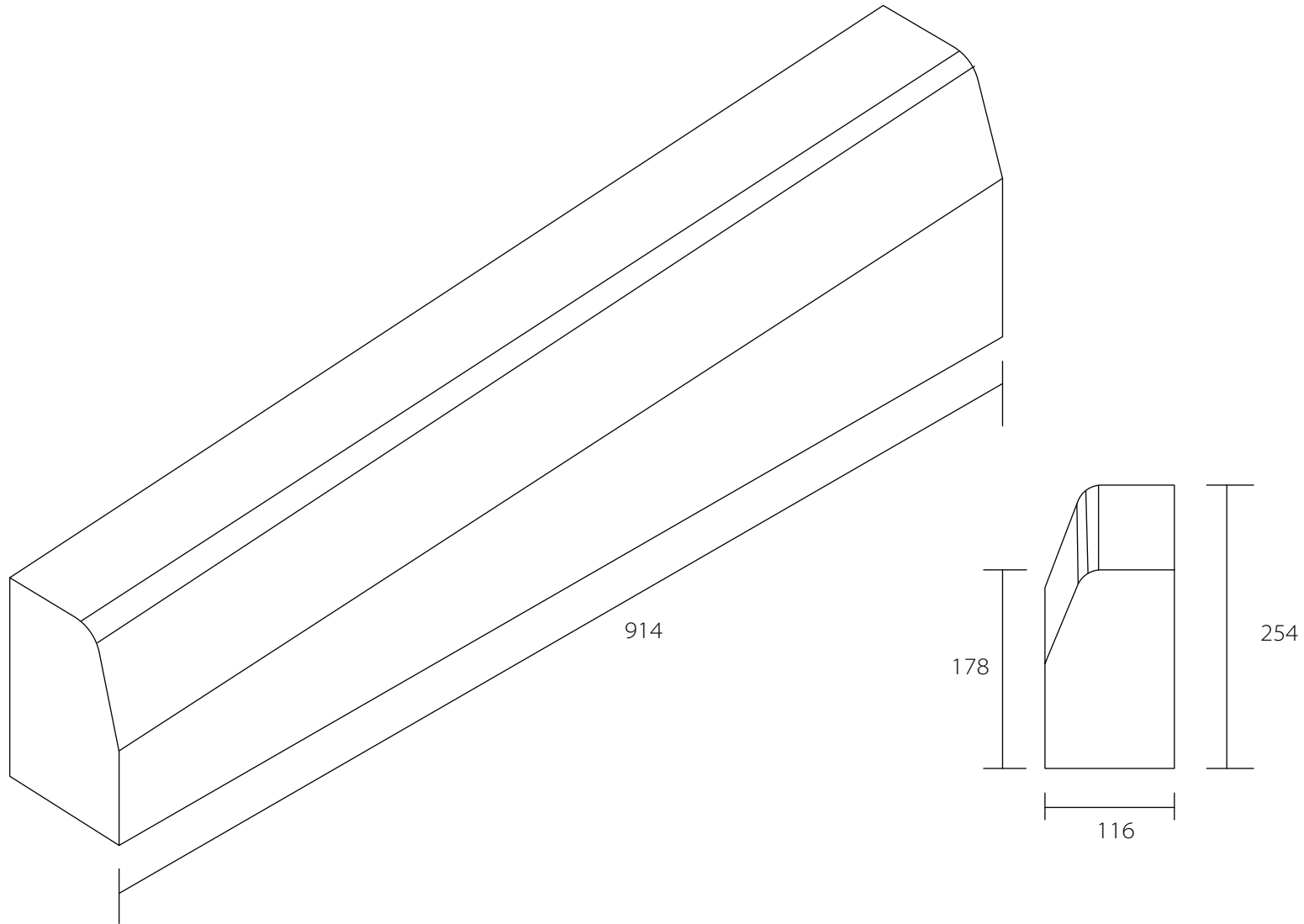
6" X 5" Kerb



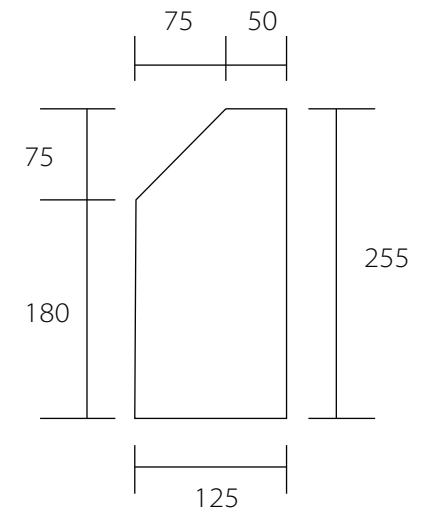
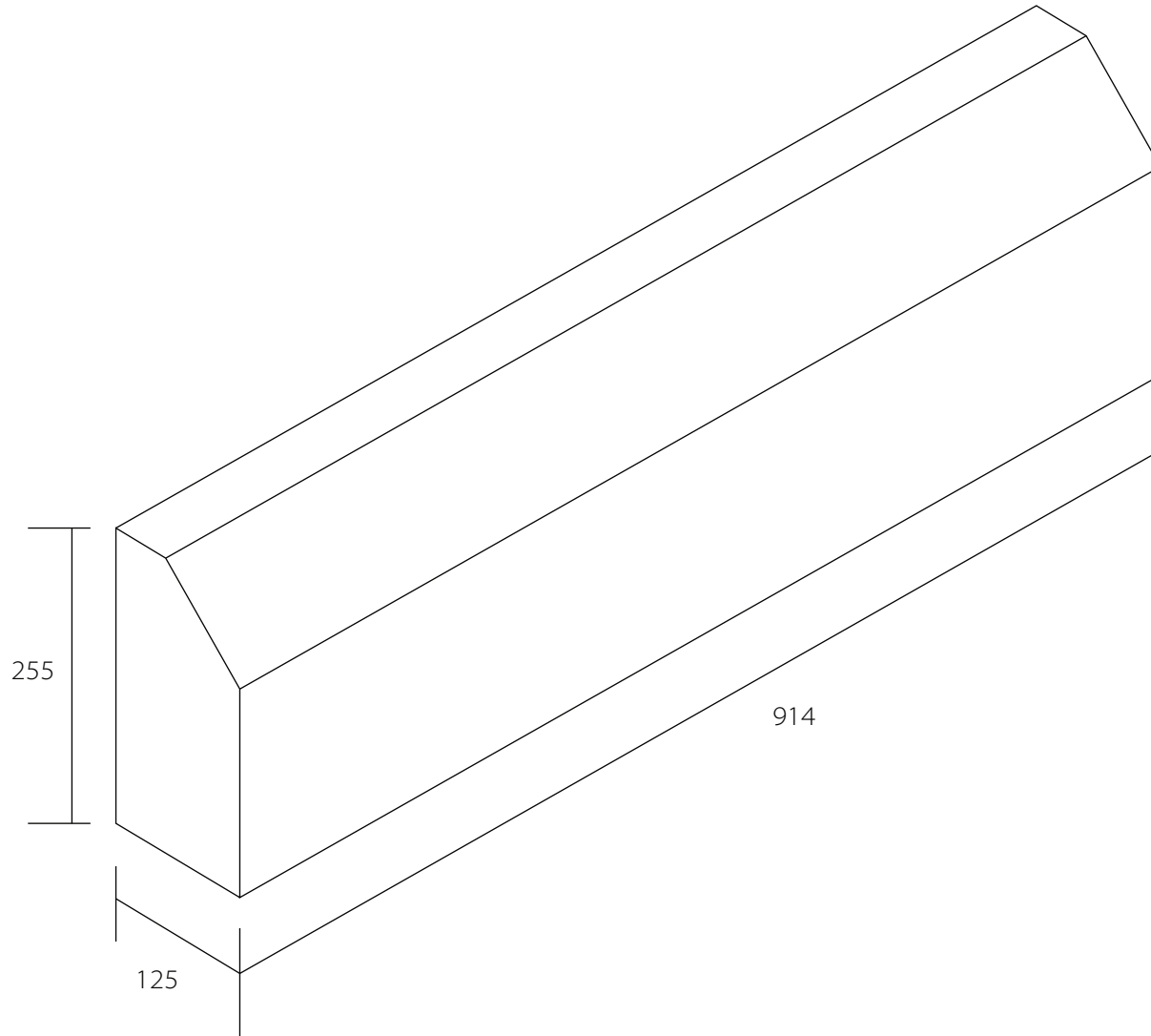
10X4 Bullnose Kerb



10X5 Dropped Pressed Kerb



10X5 Full Battered Kerb



Solid Segment

