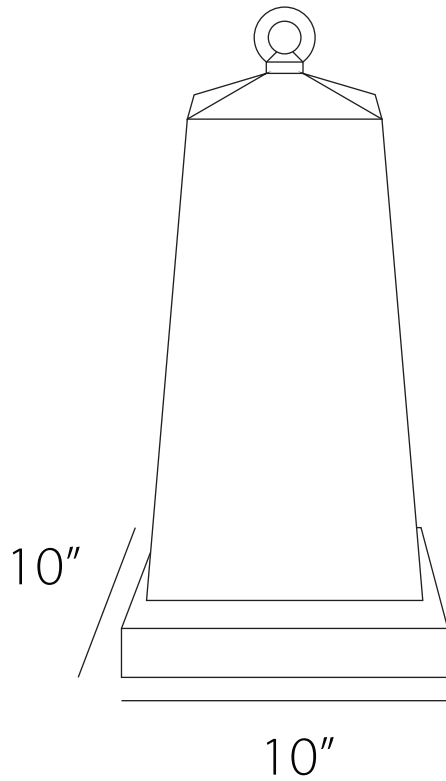


# Roadside Bollard

A. 18" Roadside Bollard



B. 4ft 6" Roadside Bollard

